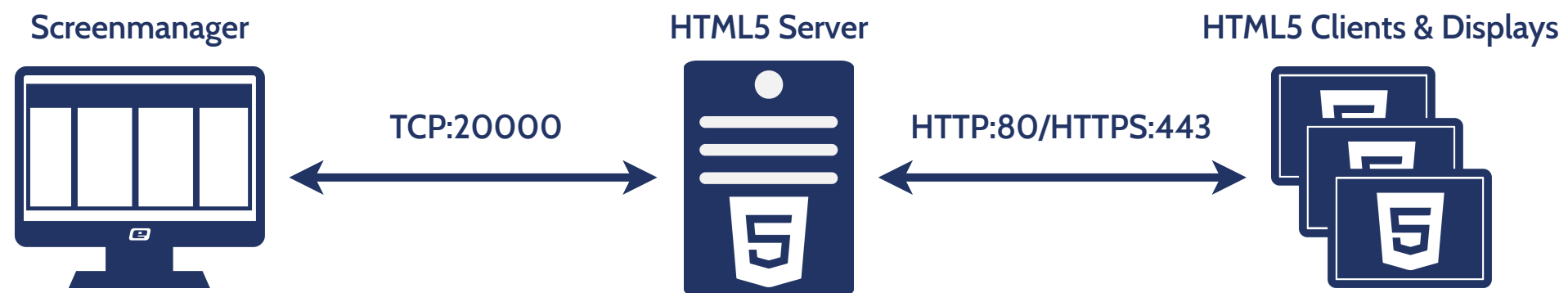
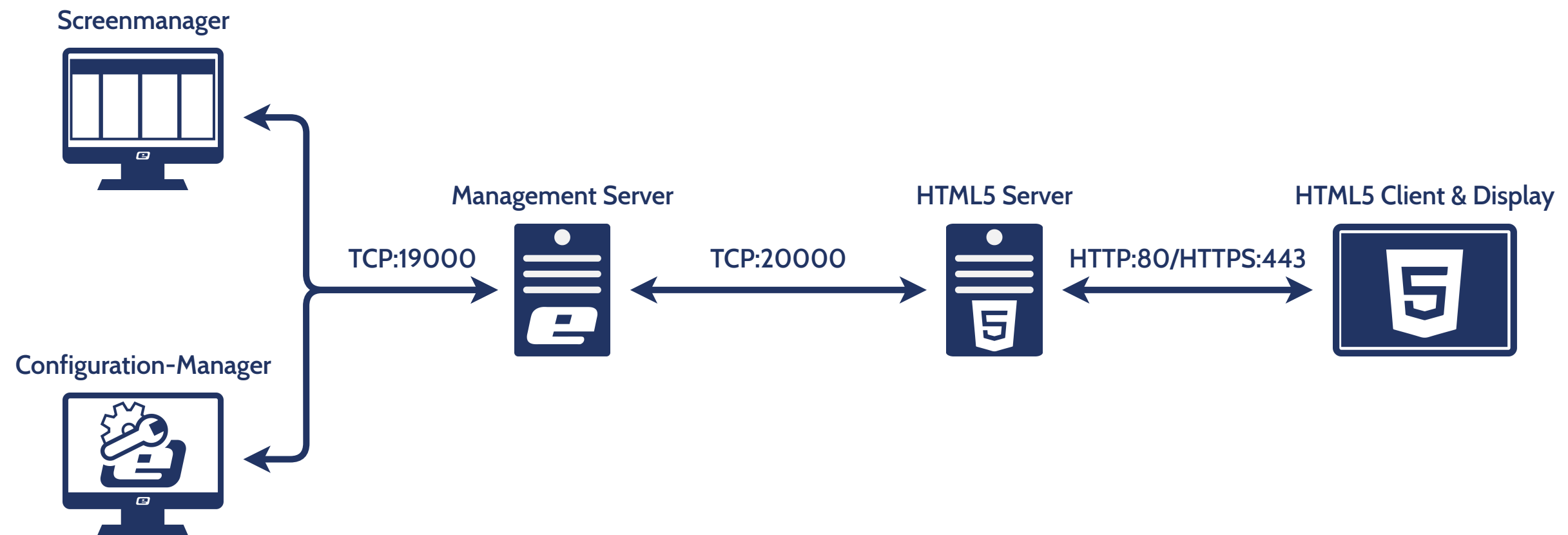
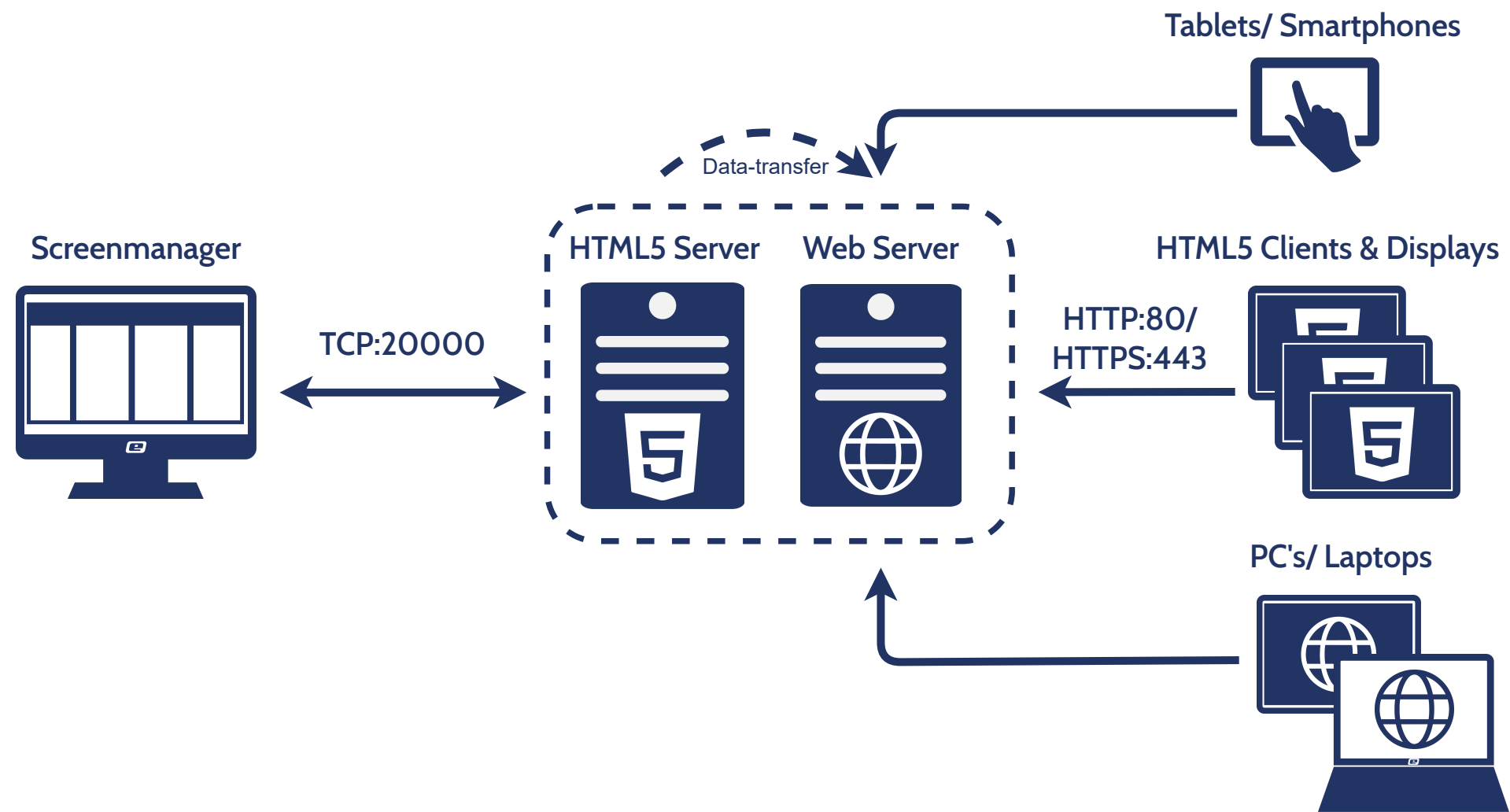
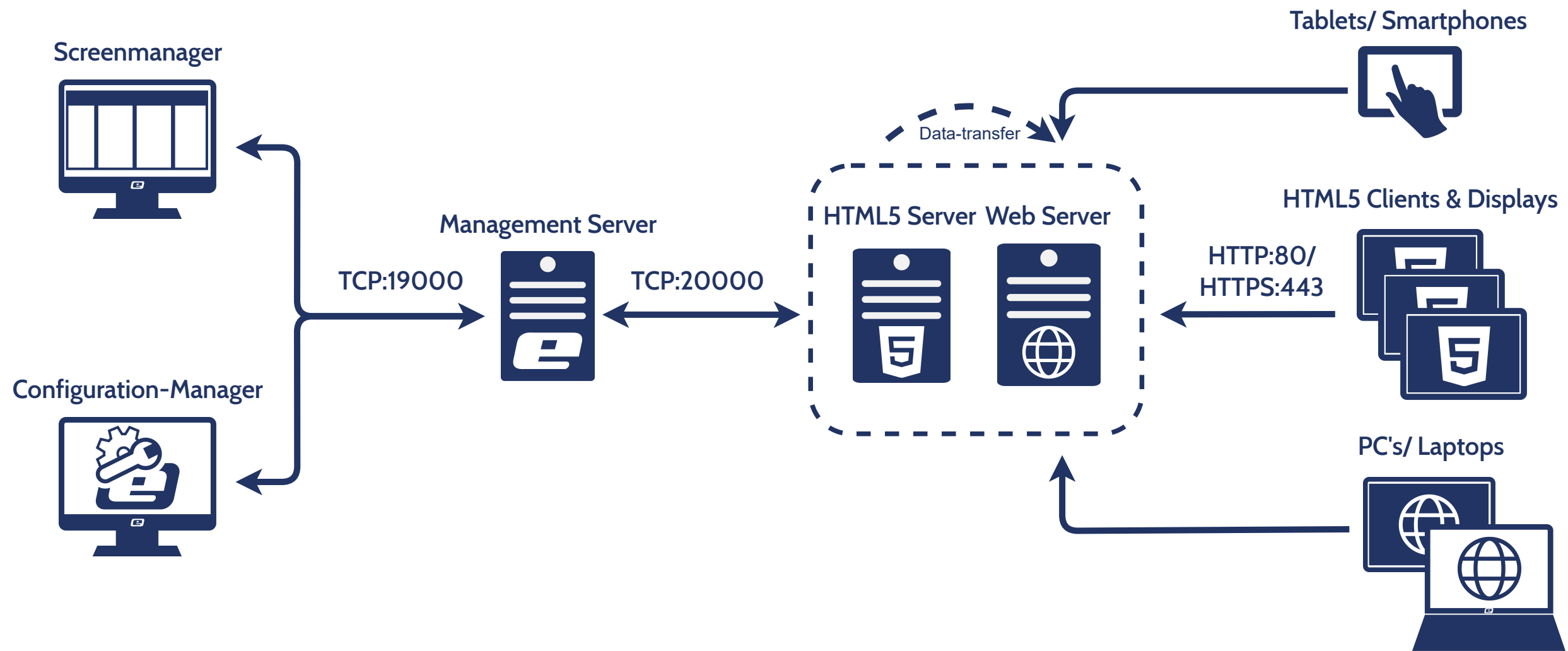


Webinterface on-premises - Management Server - Scaled Sub Management Server - POV Clients

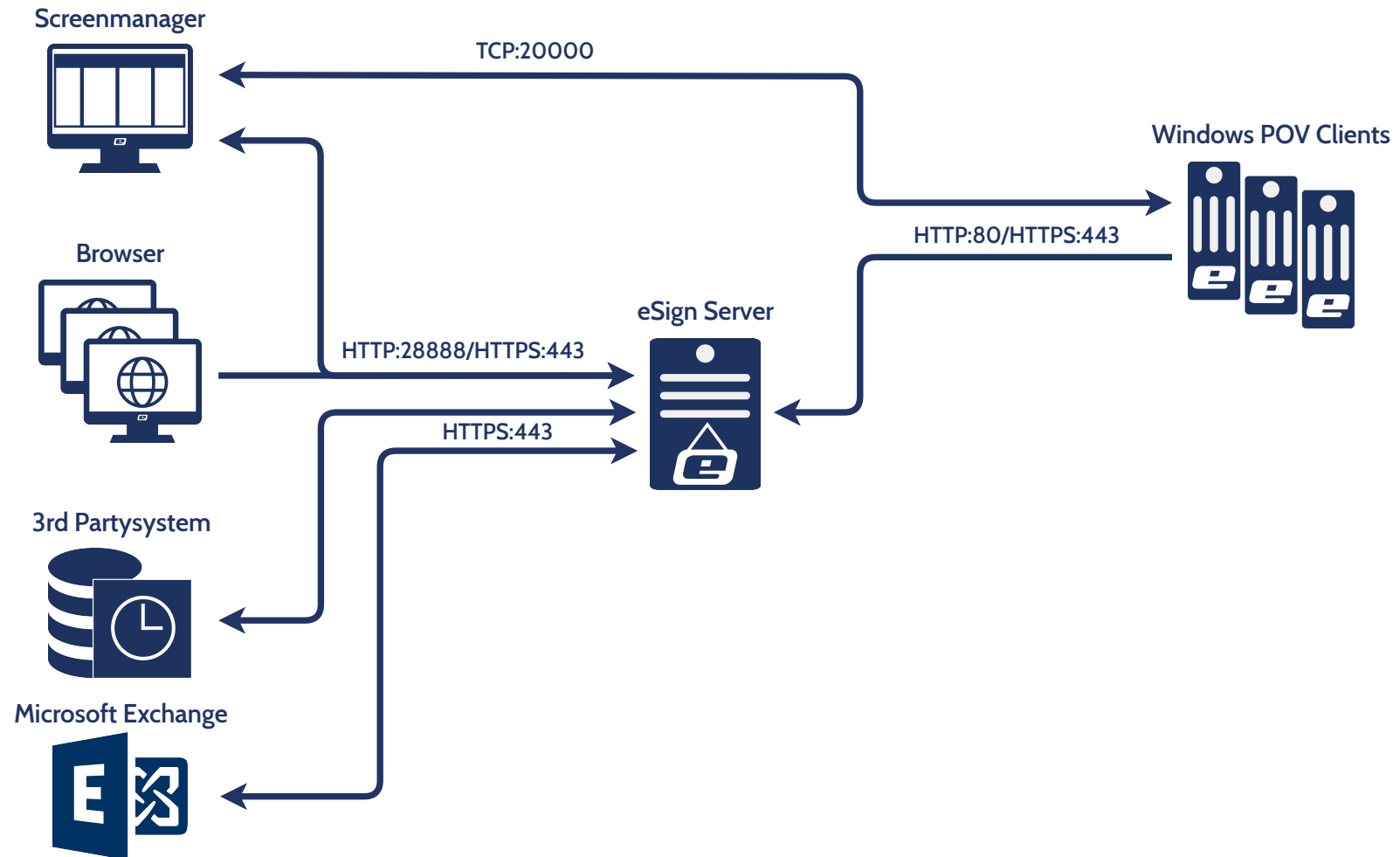


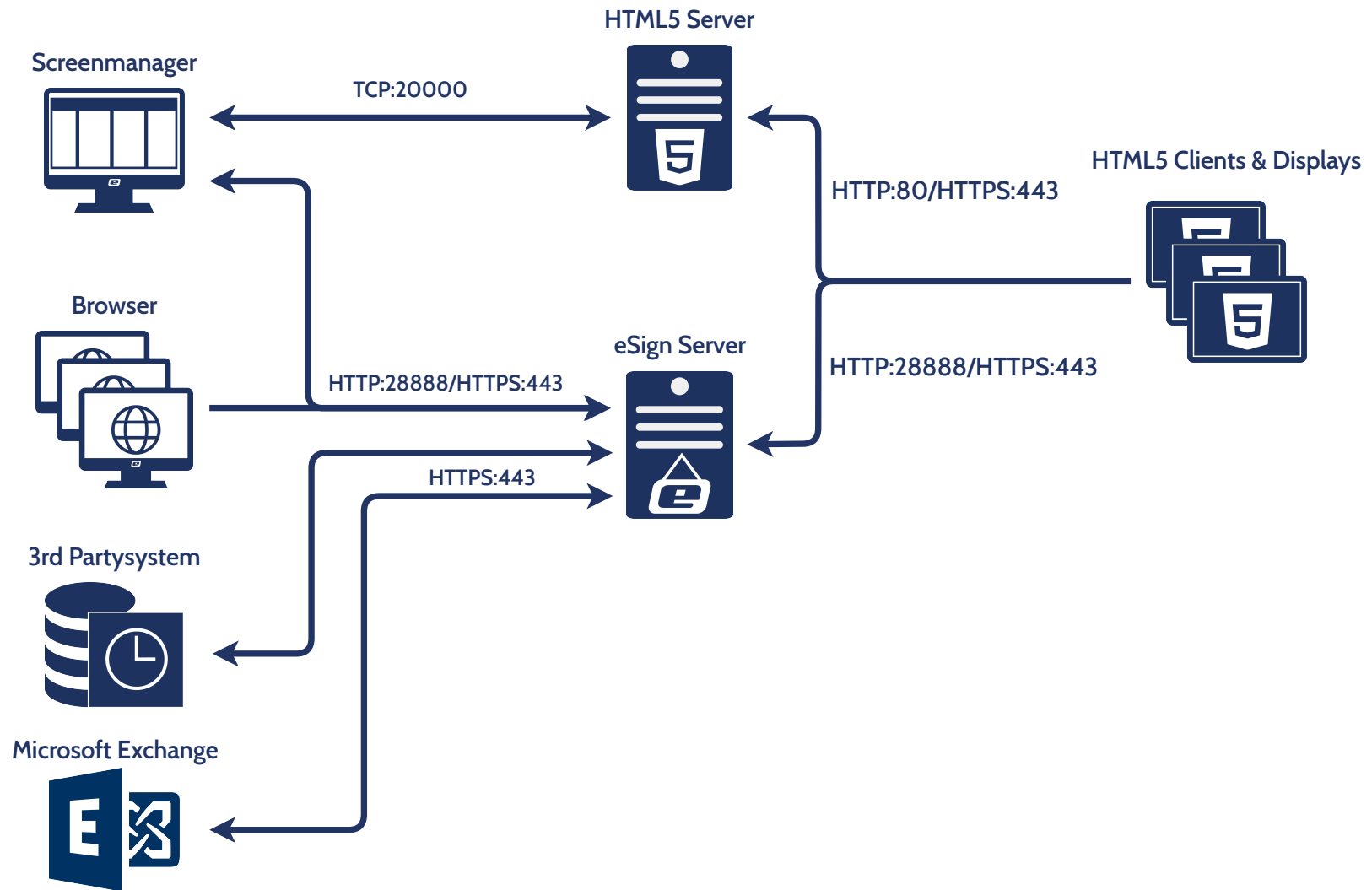












3rd Party System



eSign Server



Browser



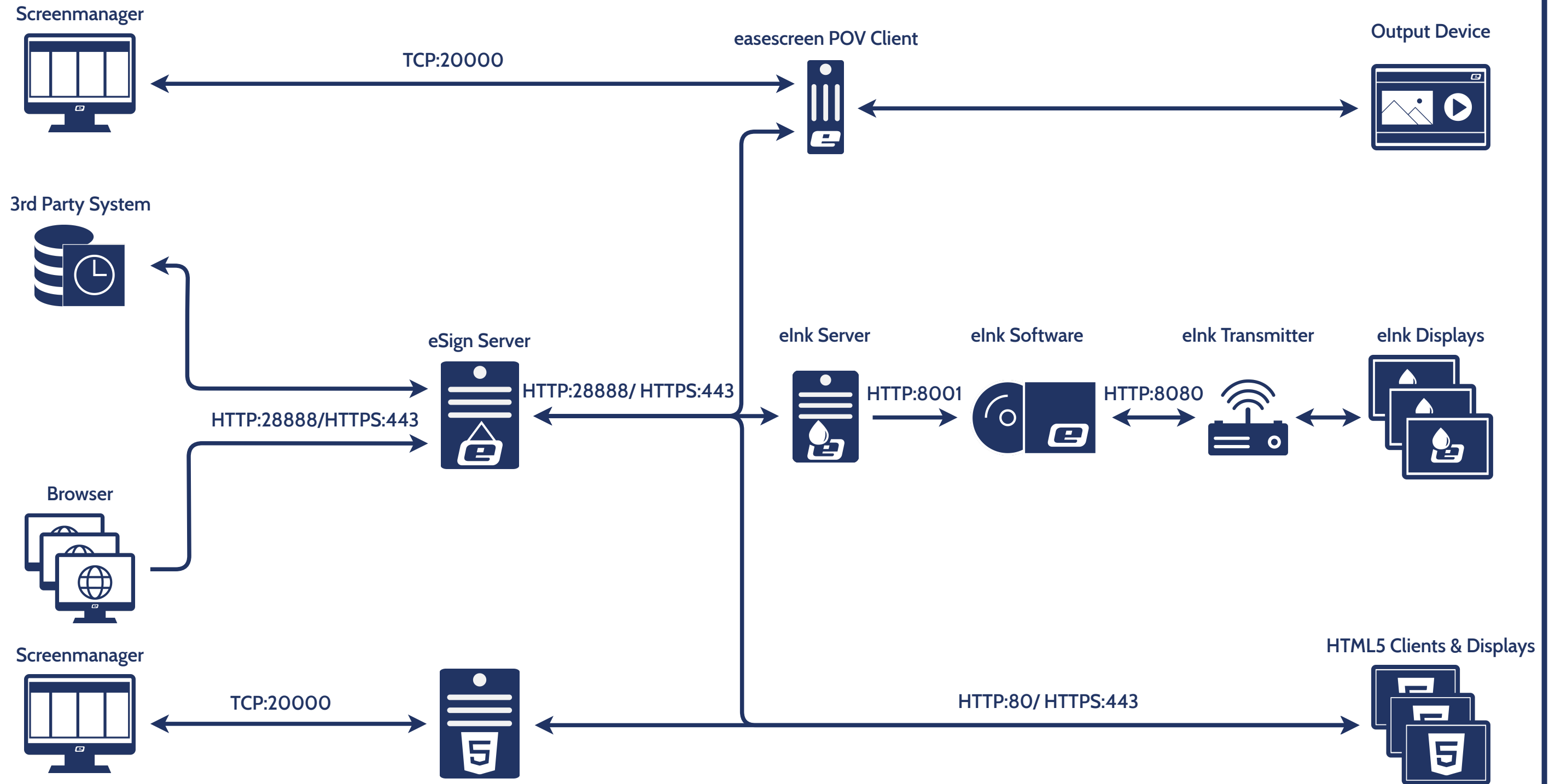
HTTP:28888/HTTPS:443

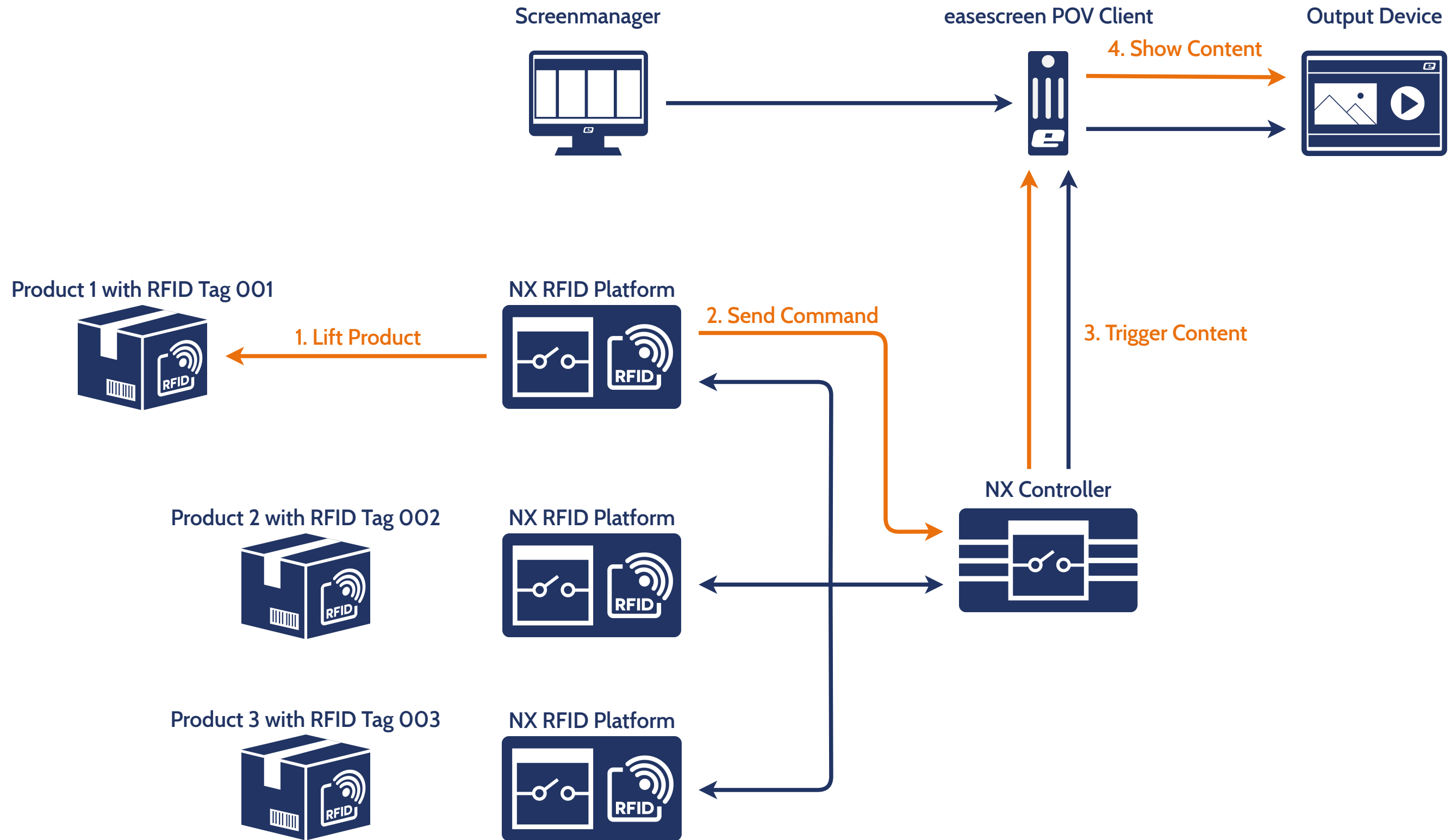
HTTP:28888/HTTPS:443

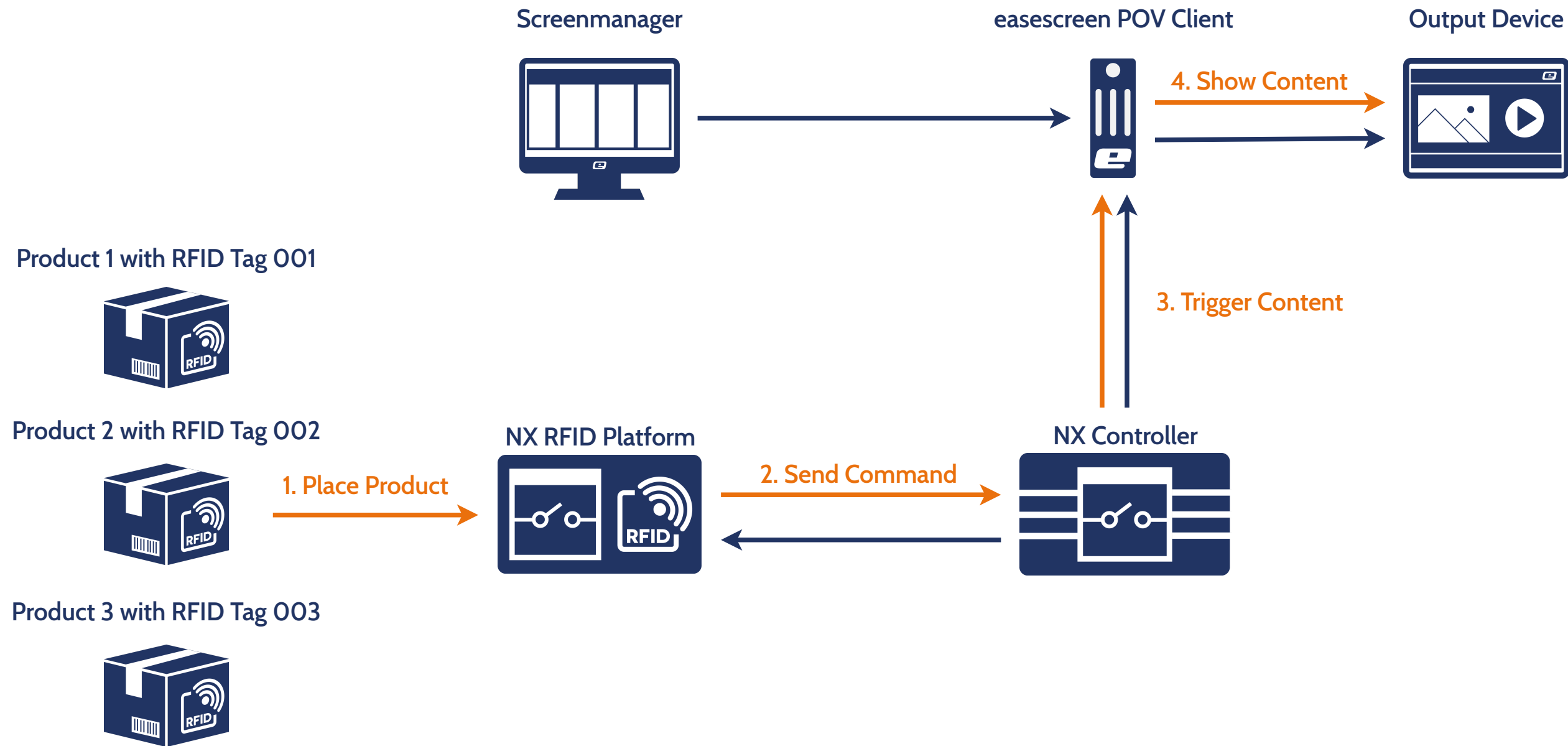
Browser

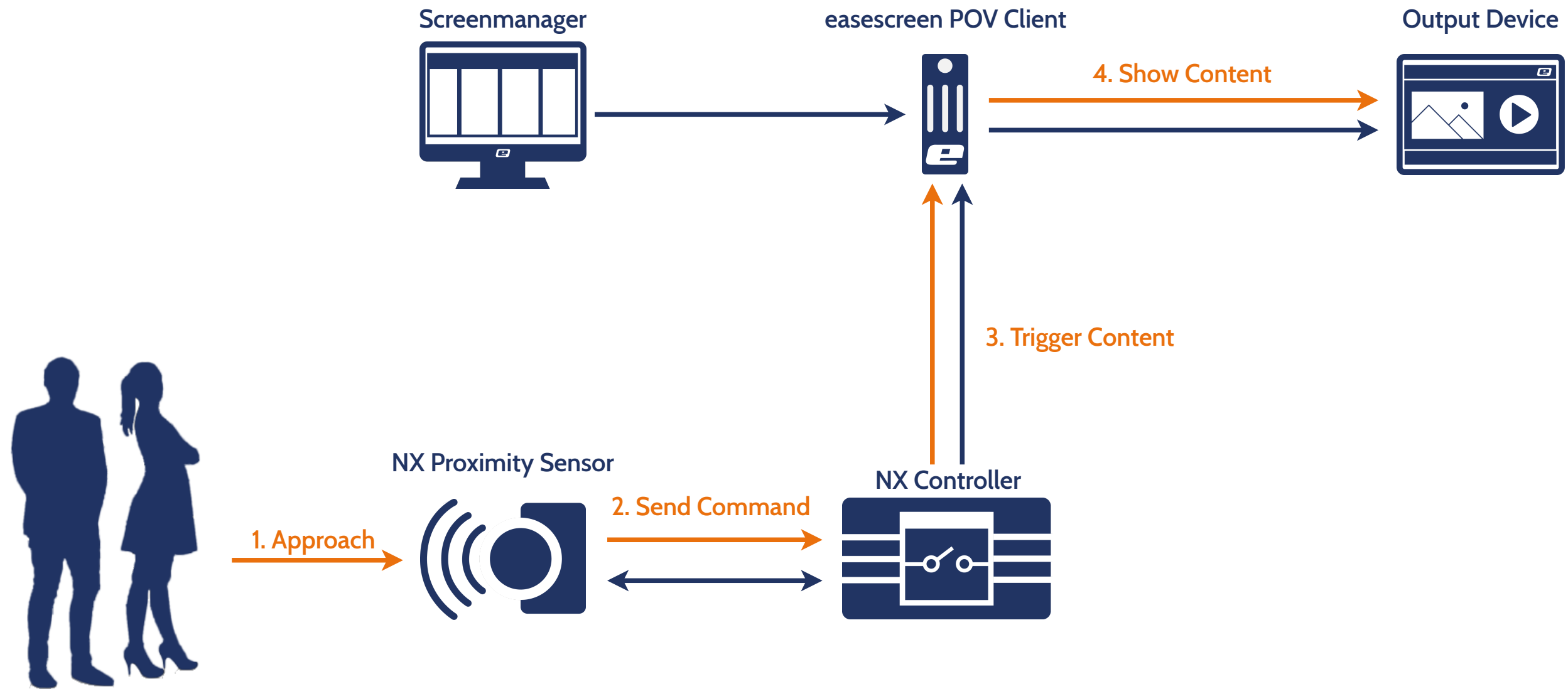




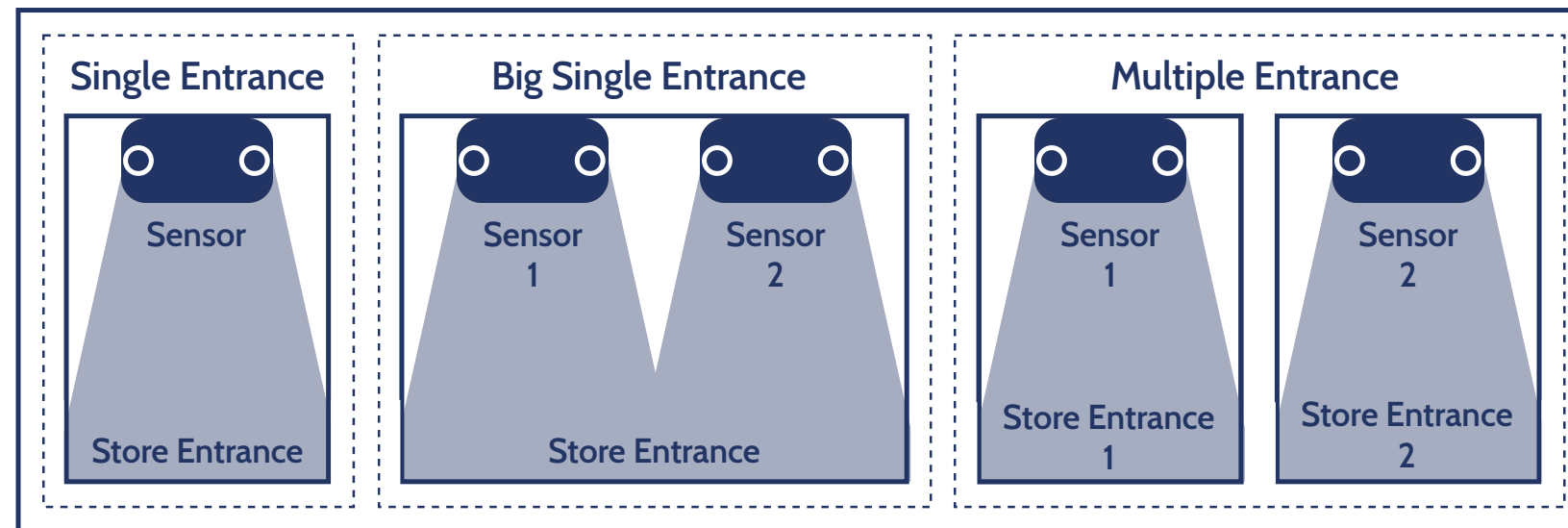
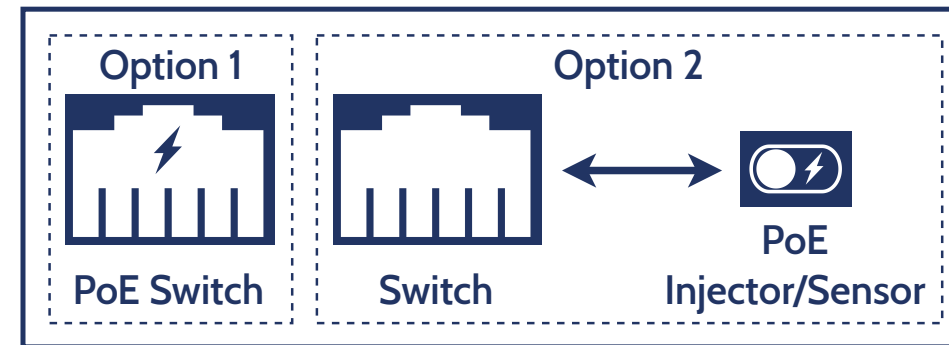
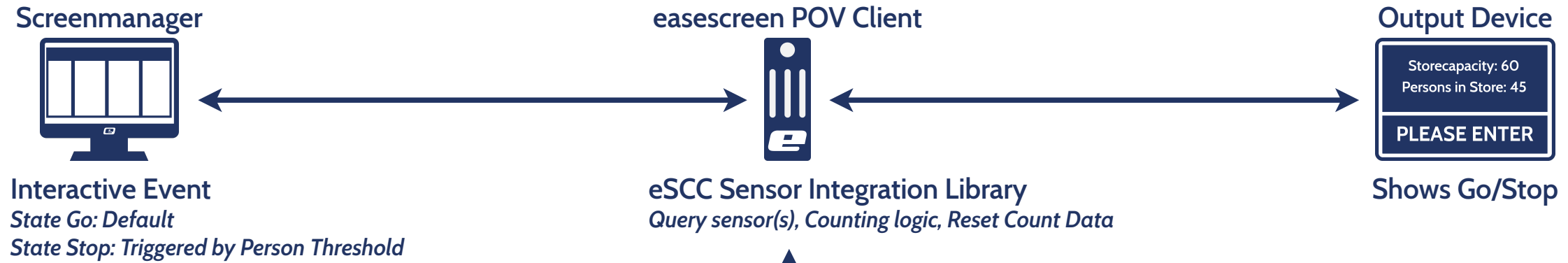












Used Sensors are GDPR compliant Stereo Camera System

